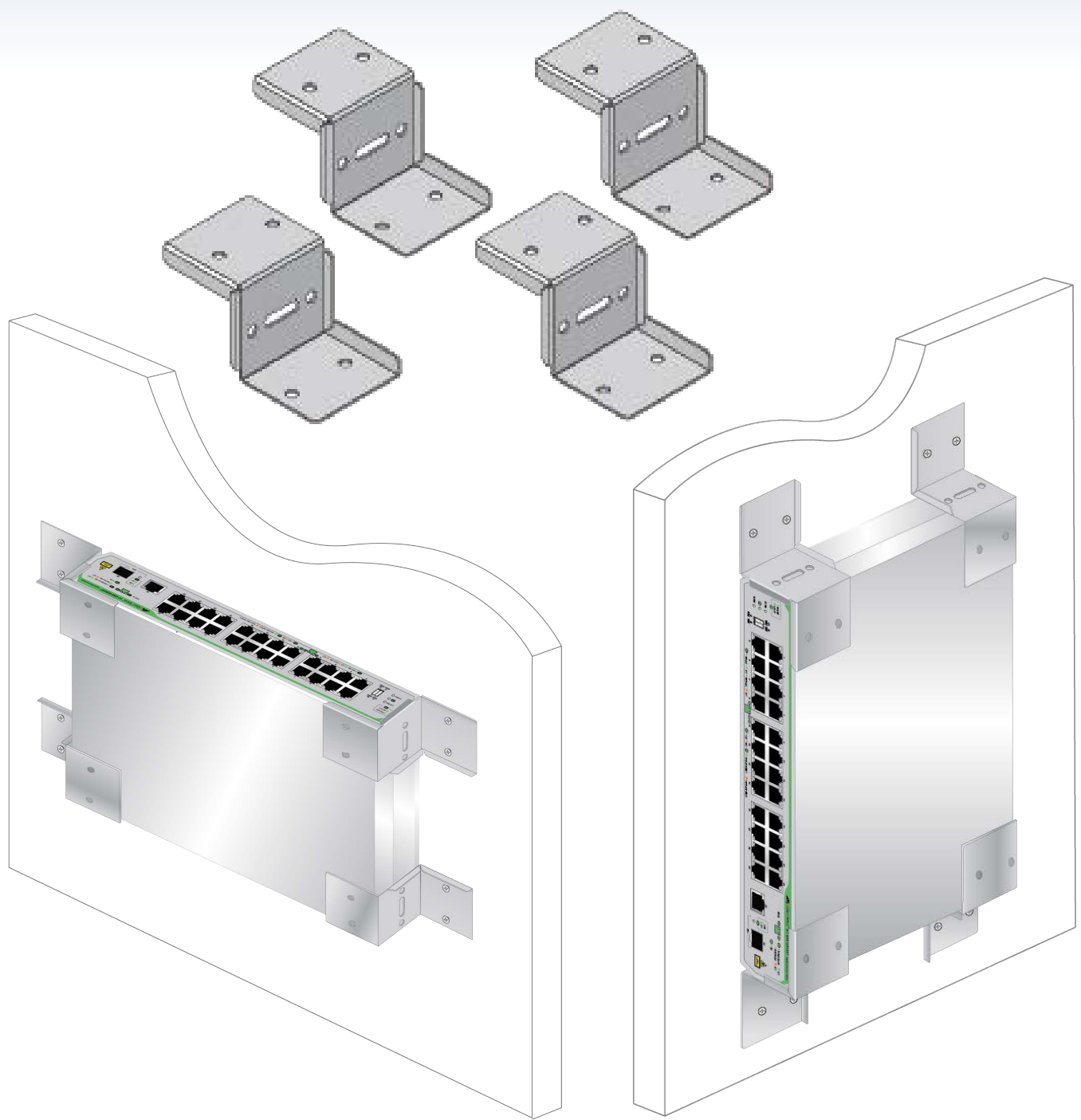


BRKT-J22

Wall Mount Kit for Switches



Installation Guide

Copyright © 2022 Allied Telesis, Inc.

All rights reserved. No part of this publication may be reproduced without prior written permission from Allied Telesis, Inc.

Microsoft and Internet Explorer are registered trademarks of Microsoft Corporation. Netscape Navigator is a registered trademark of Netscape Communications Corporation. All other product names, company names, logos or other designations mentioned herein are trademarks or registered trademarks of their respective owners.

Allied Telesis, Inc. reserves the right to make changes in specifications and other information contained in this document without prior written notice. The information provided herein is subject to change without notice. In no event shall Allied Telesis, Inc. be liable for any incidental, special, indirect, or consequential damages whatsoever, including but not limited to lost profits, arising out of or related to this manual or the information contained herein, even if Allied Telesis, Inc. has been advised of, known, or should have known, the possibility of such damages.

Contents

Preface	5
Safety Symbols Used in this Document	6
Contacting Allied Telesis	7
Chapter 1: Installation Using the BRKT-J22 Kit	9
Introduction	10
Unpacking the BRKT-J22 Wall Mount Kit	12
Installing a Switch Using the BRKT-J22 Wall Mount Kit	13
What to Prepare	13
Installing a Switch with the Front Panel Facing Sideways	13
Installing a Switch Horizontally	18
Appendix A: Specifications	21
Physical Specifications	21

Preface

This document contains the installation instructions for the BRKT-J22 wall mount kit. These wall mount brackets are used to install an Allied Telesis switch to a wall.

Note

Refer to the Installation Guide of your switch if it should be installed using the BRKT-J22 wall mount kit.

The Preface contains the following sections:

- “Safety Symbols Used in this Document” on page 6
- “Contacting Allied Telesis” on page 7

Safety Symbols Used in this Document

This document uses the following conventions:

Note

Notes provide additional information.



Caution

Cautions inform you that performing or omitting a specific action may result in equipment damage or loss of data.



Warning

Warnings inform you that performing or omitting a specific action may result in bodily injury.

Contacting Allied Telesis

If you need assistance with this product, you may contact Allied Telesis technical support by going to the Services & Support section of the Allied Telesis web site at **www.alliedtelesis.com/support**. You can find links for the following resources on this page:

- ❑ Helpdesk (Support Portal) - Log onto Allied Telesis interactive support center to search for answers to your questions in our knowledge database, check support tickets, learn about Return Merchandise Authorizations (RMAs), and contact Allied Telesis technical experts.
- ❑ Software Downloads - Download the latest software releases for your product.
- ❑ Licensing - Register and obtain your License key to activate your product.
- ❑ Product Documents - View the most recent installation guides, user guides, software release notes, white papers and data sheets for your product.
- ❑ Warranty - View a list of products to see if Allied Telesis warranty applies to the product you purchased and register your warranty.
- ❑ Allied Telesis Helpdesk - Contact a support representative.

For sales or corporate contact information, go to **www.alliedtelesis.com/contact** and select your region.

Chapter 1

Installation Using the BRKT-J22 Kit

This chapter explains the procedures how to install a switch on a wall using the BRKT-J22 wall mount kit.

It contains the following sections:

- ❑ “Introduction” on page 10
- ❑ “Unpacking the BRKT-J22 Wall Mount Kit” on page 12
- ❑ “Installing a Switch Using the BRKT-J22 Wall Mount Kit” on page 13

Introduction

The BRKT-J22 wall mount kit allows you to install a switch to a wall.

Here is a list of guidelines for installing a switch on a wall using the BRKT-J22 wall mount kit.

- ❑ See the Installation Guide of your switch to find out if your switch should be installed to a wall using the BRKT-J22 wall mount kit.
- ❑ The height of the switch must be from 44 mm (1.7 in) up to 46 mm (1.8 in).
- ❑ If rubber feet are attached to the switch, remove them.
- ❑ Review the safety precautions listed in the Installation Guide of your switch before installing the switch.
- ❑ Apply the BRKT-J22 brackets to the switch as shown in Figure 1. See the Installation Guide of your switch for approved installation orientations of the switch.

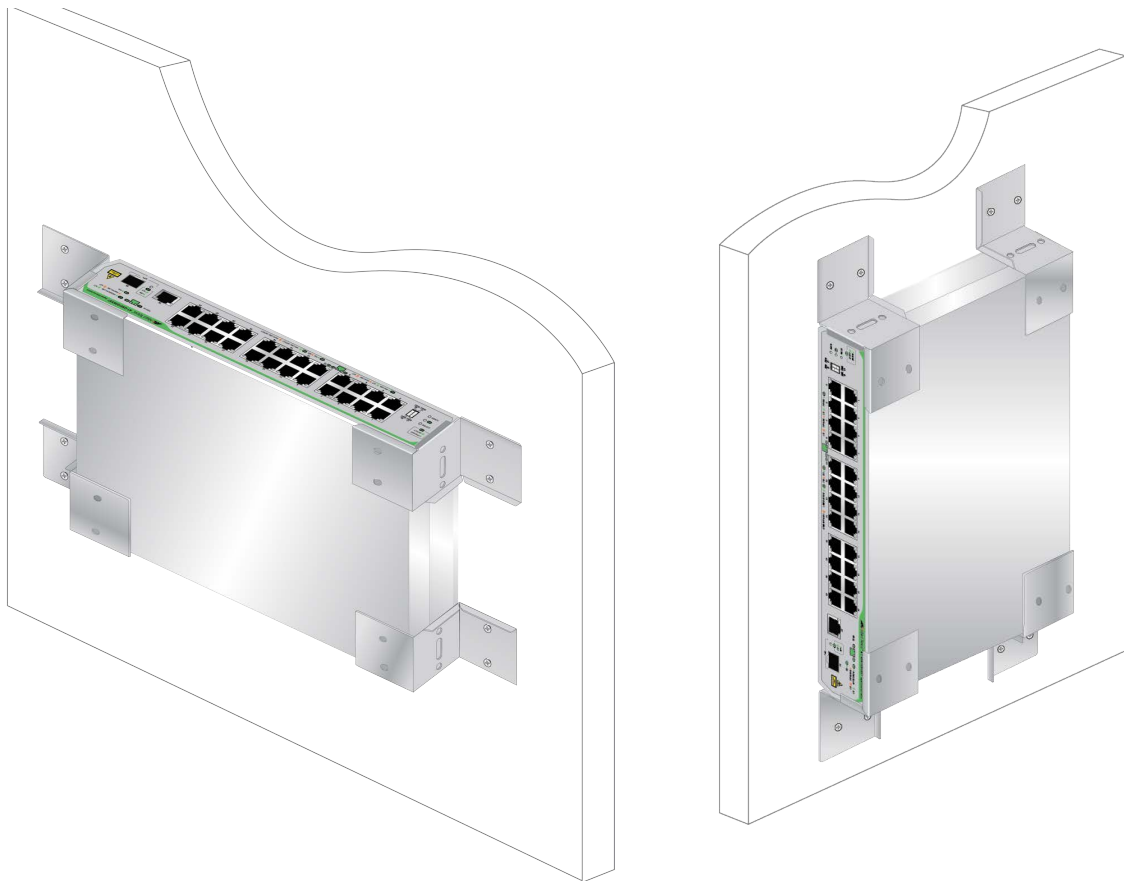


Figure 1. Correct Orientations of the Brackets to a Switch

- ❑ Figure 2 shows a wrong orientation of the BRKT-J22 brackets to a switch. When you install a switch horizontally, the brackets must be on the sides of the switch, instead of the top and bottom.

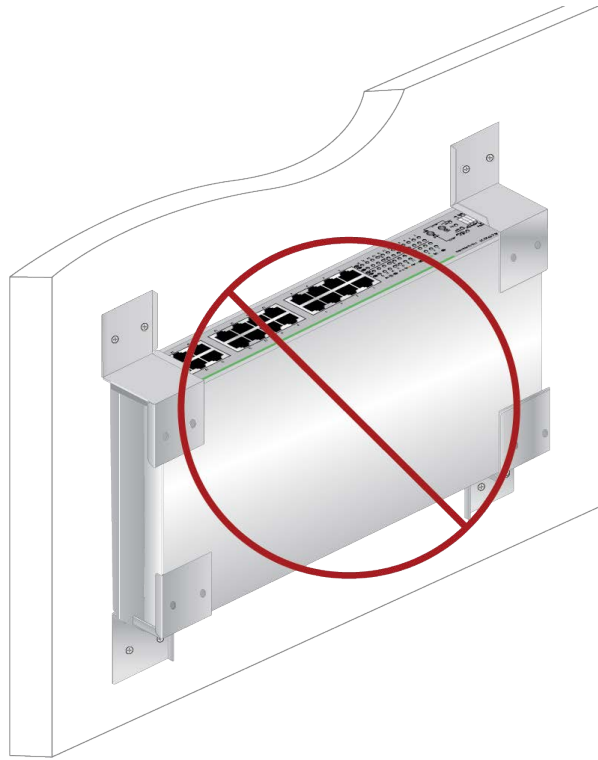


Figure 2. Wrong Orientation of the Brackets to a Switch

Unpacking the BRKT-J22 Wall Mount Kit

To unpack the BRKT-J22 wall mount kit, perform the following procedure:

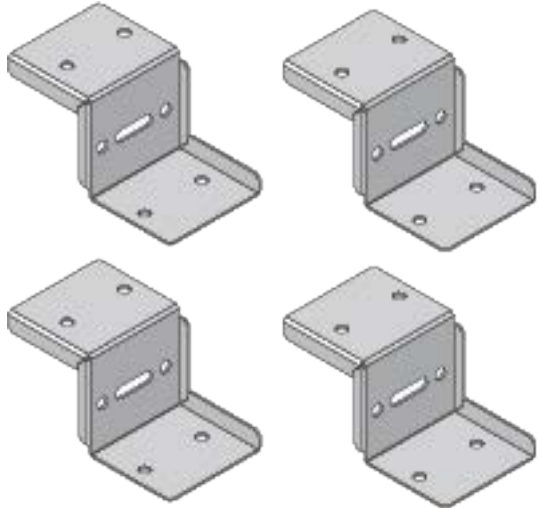
1. Remove all components from the shipping package.

Note

Store the packaging material in a safe location. You must use the original shipping material if you need to return the unit to Allied Telesis.

2. Verify that four brackets are included in your wall mount package listed in Table 1.

Table 1. Components in the BRKT-J22 Wall Mount Kit

	Components
Four brackets	

3. If any item is missing or damaged, contact your Allied Telesis sales representative for assistance.

Installing a Switch Using the BRKT-J22 Wall Mount Kit

This section shows you steps to install a switch on a wall using the BRKT-J22 brackets.

What to Prepare

Before installing a switch on a wall, make sure that the following items are ready.

- One switch
- One BRKT-J22 wall mount kit
- Eight 4mm x 32mm wood screws for wall mounting (not included)
- Eight plastic anchors for the wood screws (not included)
- Phillips-head screwdriver
- Pencil
- Drill

Note

You must provide screws and plastic anchors to hold the brackets securely to the wall, a Phillips-head screw driver, and a pencil, and a drill.

Installing a Switch with the Front Panel Facing Sideways

To install the switch on a wall with the front panel facing sideways, perform the following procedure:

1. Review the Safety Precautions in the installation guide of the switch you are installing.
2. If rubber feet were previously attached to the switch, remove them as shown in Figure 3.

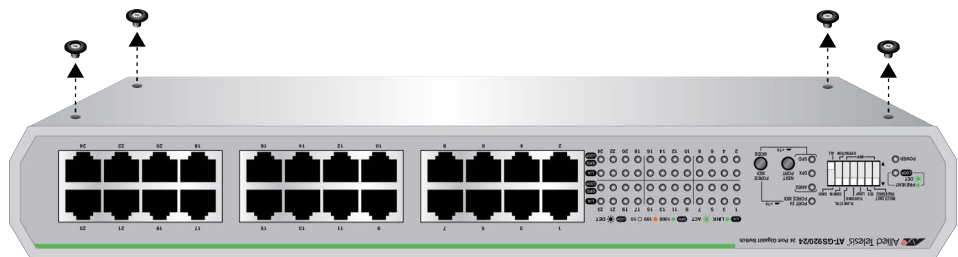


Figure 3. Removing Rubber Feet from the Switch

3. Orient two brackets against the side of the switch.

4. Have another person hold the switch with the brackets at the location where the switch is to be installed, while you use a pencil to mark the wall at the locations of the four holes in the brackets. See Figure 4.

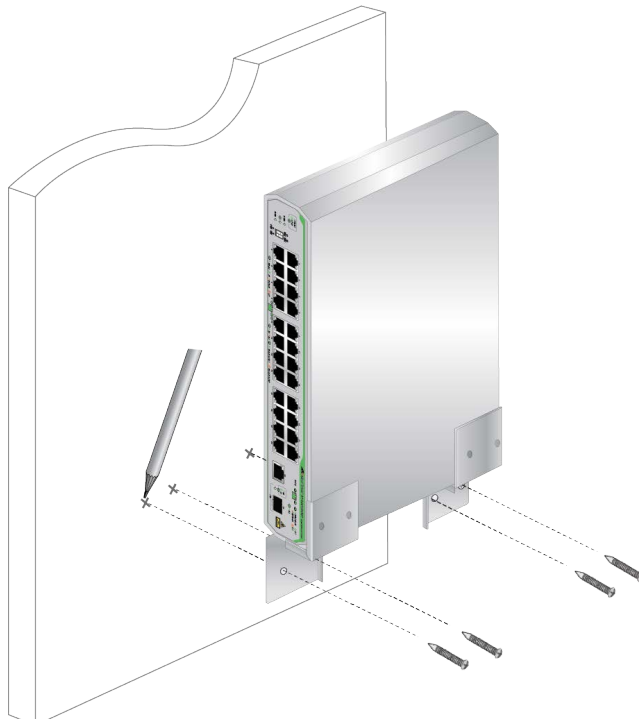


Figure 4. Marking the Screw Hole Locations

5. Pre-drill the marked locations on the wall marked in Step 4.
6. Install the four plastic anchors into the wall in the holes.
7. Position two brackets on the wall and screw the screws through the holes to attach the brackets on the wall. See Figure 5.

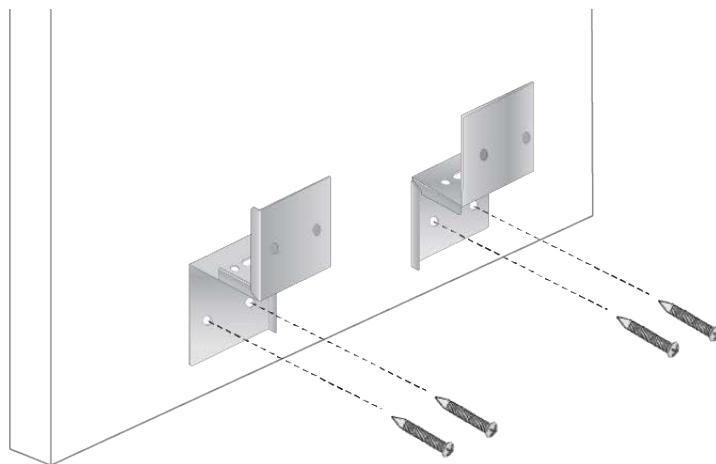


Figure 5. Attaching the Brackets to the Wall

8. Make sure that the two brackets are installed securely.
9. Slide the switch into the brackets on the wall as shown in Figure 6.

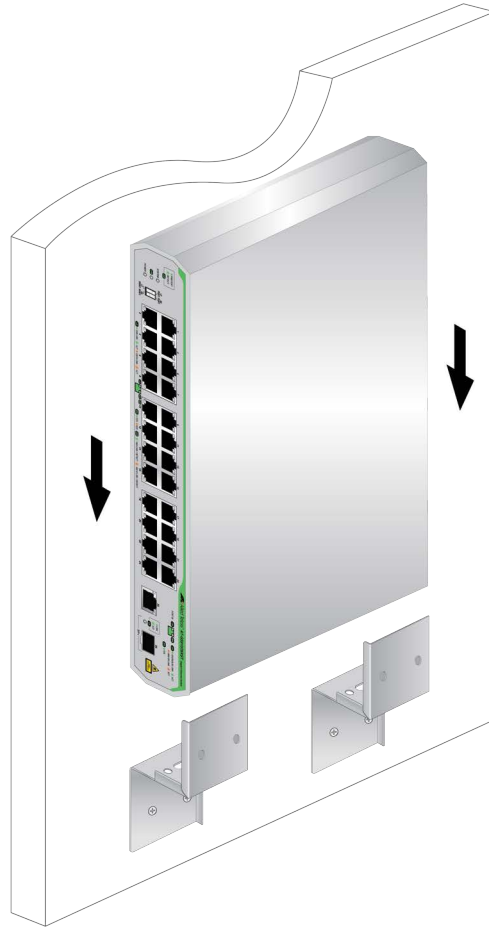


Figure 6. Placing the Switch into the Brackets

10. Position the two brackets on top of the switch and use a pencil to mark the wall with the locations of the four holes in the brackets. See Figure 7.



Figure 7. Marking the Screw Hole Locations for the Top Brackets

11. Remove the two brackets from the top of the switch.
12. Pre-drill the marked locations on the wall at the locations marked in Step 10.
13. Install the four plastic anchors into the holes of the wall.

14. Place the two brackets back on the top of the switch and screw the screws through the holes to attach the brackets on the wall. See Figure 8.

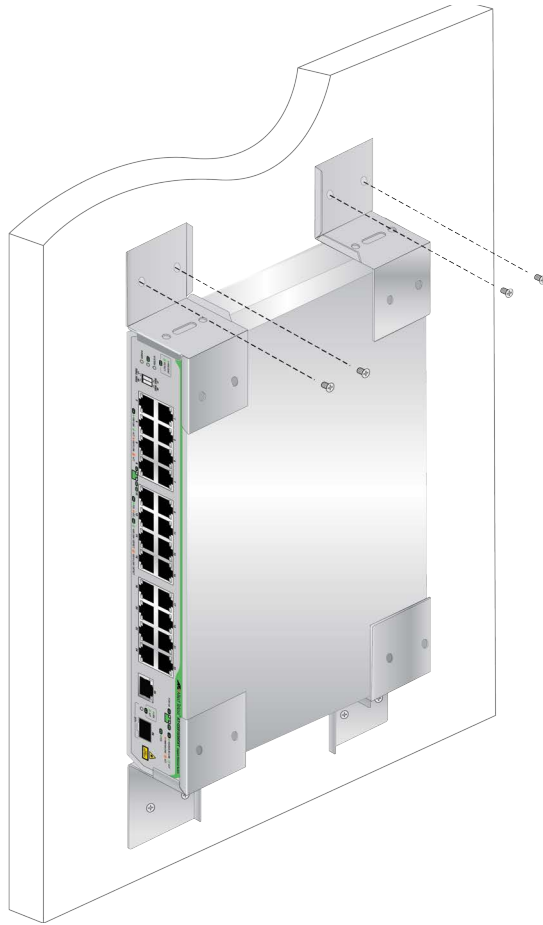


Figure 8. Securing the Top Brackets to the Wall

15. Make sure that the brackets are installed securely.

Installing a Switch Horizontally

To install the switch on a wall horizontally, install the brackets to support the switch from the sides as shown in Figure 9.

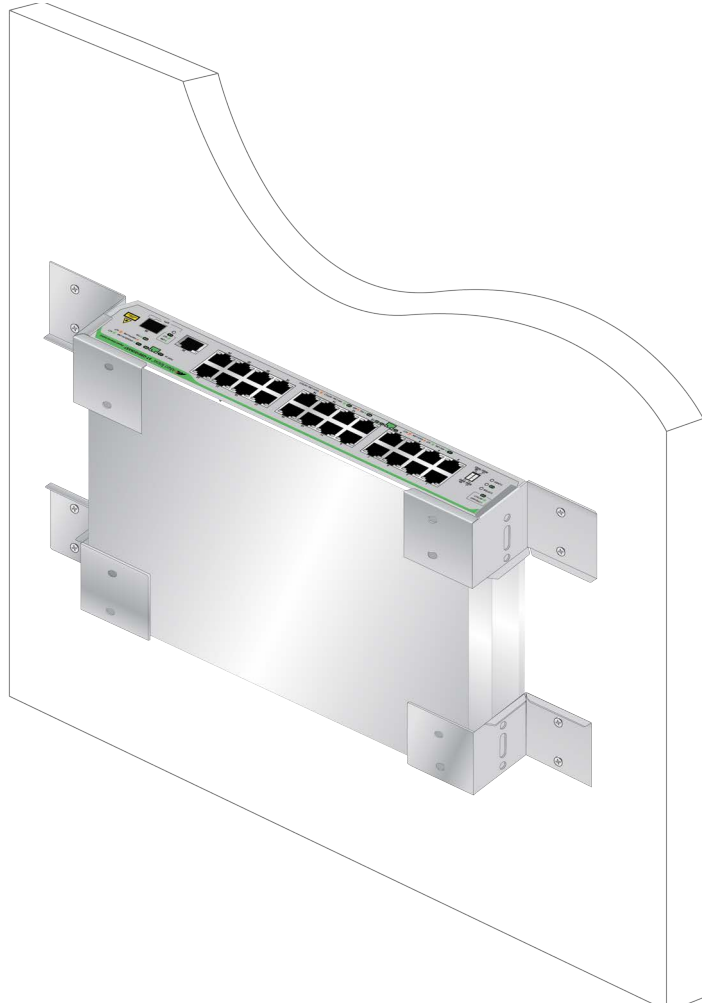


Figure 9. Installing the Brackets to Support the Switch

To install the switch on a wall horizontally, perform the following procedure:

1. Review the Safety Precautions in the installation guide of the switch you are installing.
2. If the rubber feet were previously attached to the switch, remove them as shown in Figure 3 on page 13.
3. Orient the brackets against the bottom sides of the switch.

4. Have another person hold the switch with the brackets at the location where the switch is to be installed, while you use a pencil to mark the wall at the locations of the holes in the two brackets.
5. Pre-drill the marked locations on the wall marked in Step 4.
6. Install the plastic anchors into the wall in the holes for the two bottom side brackets.
7. Position brackets on the wall and screw the screws through the holes to attach the bottom brackets on the wall.
8. Make sure that the two brackets are installed securely.
9. Slide the switch into the brackets on the wall.
10. Position the two brackets on top sides of the switch and use a pencil to mark the wall with the locations of the four holes in the brackets.
11. Remove the two brackets from the top of the switch.
12. Pre-drill the marked locations on the wall at the locations marked in Step 10.
13. Install the plastic anchors into the wall in the holes for the two top side brackets.
14. Place the two brackets back on the top sides of the switch and screw the screws through the holes to attach the brackets on the wall.

Appendix A

Specifications

Physical Specifications

Weight (One bracket): 57.6 g (2 oz)
Dimensions:

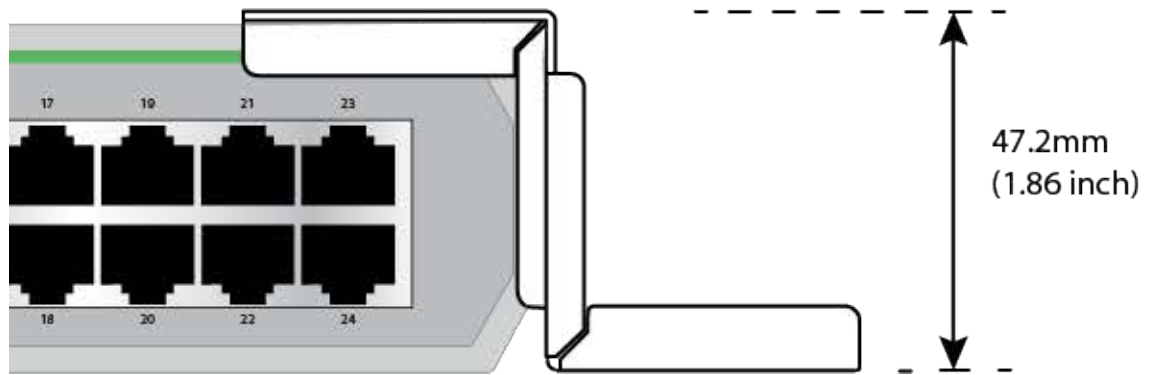


Figure 10. BRKT-J22 Height

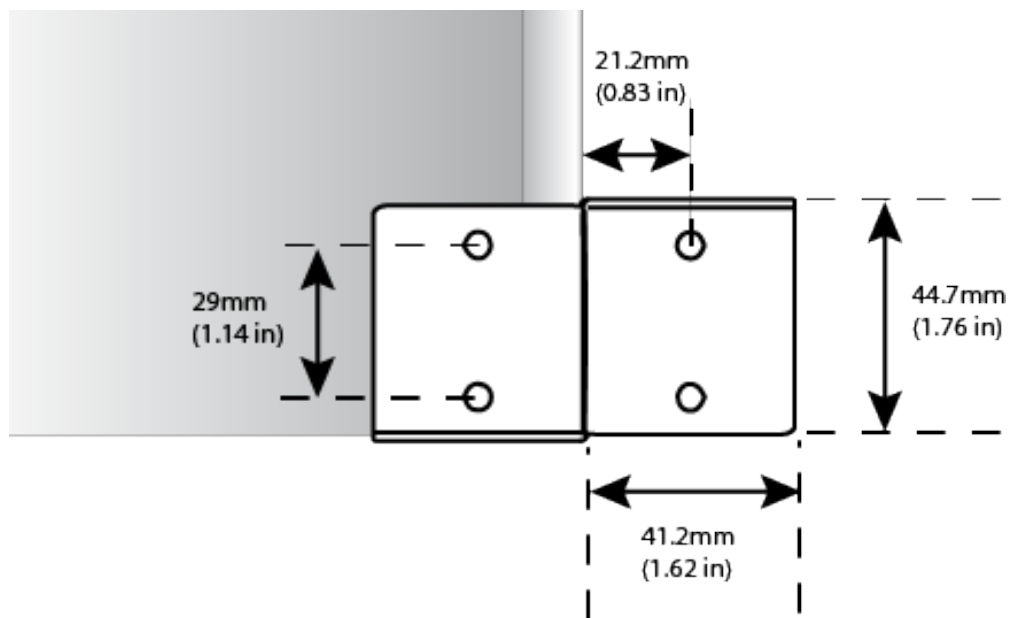


Figure 11. BRKT-J22 Width and Depth

